

AXOR Uno
Single-Hole Faucet 260 with Zero Handle, 1.2 GPM
 Finishes : Part no. : **45004001**



Features

- Spray modes: Laminar spray
- Flow: 1.2 GPM (4.5 L/Min)
- Ceramic cartridge
- Does not include: Pop-up assembly

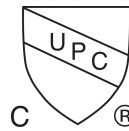
Item details

List Price \$ 776.00

Technology



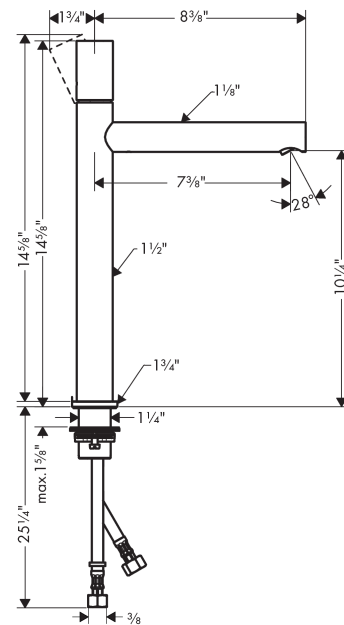
Compliance



Product image



Scale drawing

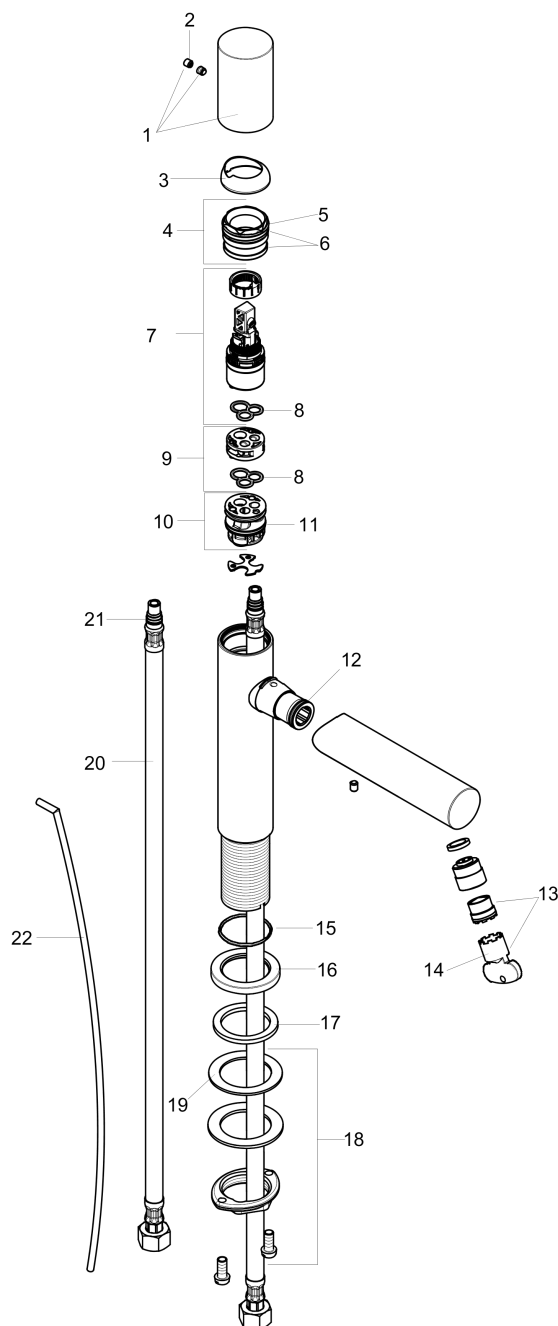


AXOR Uno
Single-Hole Faucet 260 with Zero Handle, 1.2 GPM
Finishes : Part no. : **45004001**



Exploded drawing

Year of production: >07/18



AXOR Uno
Single-Hole Faucet 260 with Zero Handle, 1.2 GPM
 Finishes : Part no. : **45004001**



Spare parts list

Year of production: >07/18

Pos.		Part no.	Price	PU
1	handle	92887000	-	1
2	screw cover	95181000	-	1
3	flange	93116000	-	1
4	nut	92689000	-	1
5	O-ring 25x1,5	98146000	-	1
6	O-ring 27x1,5	92527000	-	1
7	cartridge, assy	95973001	-	1
8	seal	98865000	-	1
9	adapter for cartridge	92628000	-	1
10	adapter for cartridge	98866000	-	1
11	O-ring 23x2	98398000	-	1
12	O-ring 16x2	98133000	-	1
13	aerator laminar M16,5x1 (4,5 l/min)	92876000	-	1
14	special tool	98987000	-	1
15	O-ring 30x1,5	98433000	-	1
16	escutcheon Ø 46 mm	95268000	-	1
17	flat seal	98749000	-	1
18	fixing set (Ø 32)	13961000	-	1
19	lever collar	97548000	-	1
20	fixation extension 35 mm	13898000	-	1
21	connection hose 35½" M8x0,75 3/8"	96316001	-	1
22	O-ring 7x1,5	98422000	-	1